

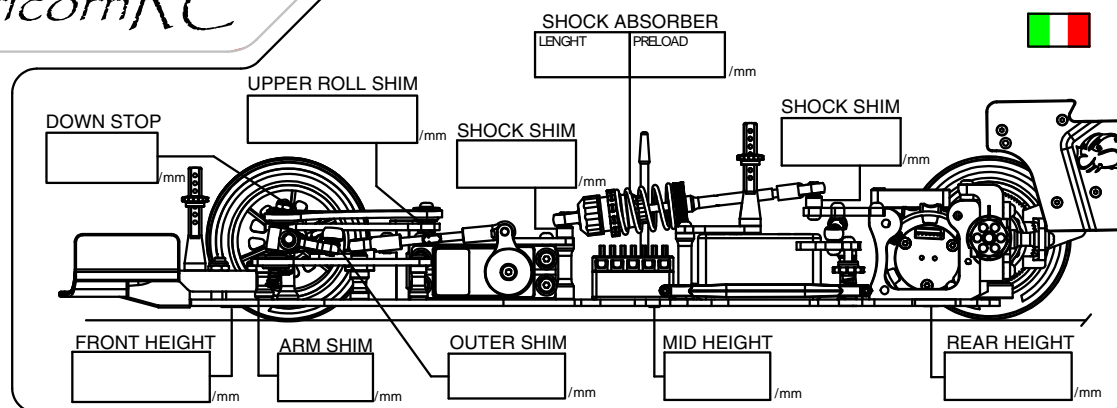
# F1-02 Setup Sheet

CapricornRC

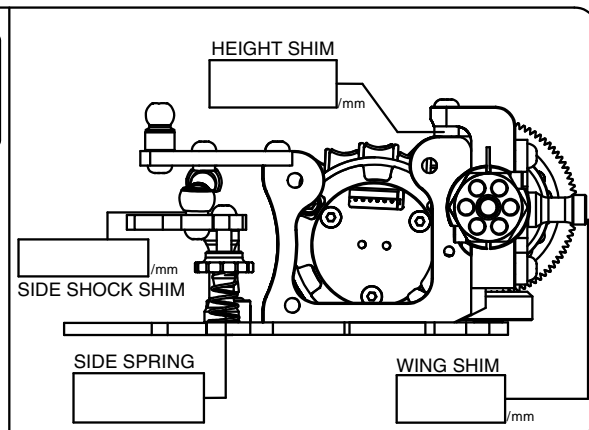
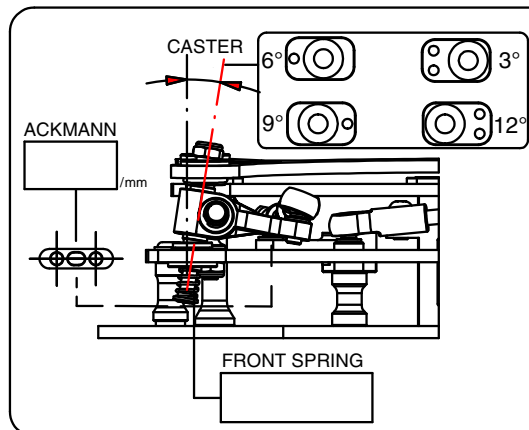
Made in Italy



RACE	<input type="text"/>	DATE	<input type="text"/>
TRACK	<input type="text"/>	QUALIFYING	<input type="text"/>
NAME	<input type="text"/>	BEST LAP	<input type="text"/> /sec
CITY	<input type="text"/>	FINAL	<input type="text"/>
CONTACT	<input type="text"/>	RACE	<input type="text"/> /min



COMPOSITION	<input type="checkbox"/> CARPET	<input type="checkbox"/> ASPHALT	
LAYOUT	<input type="checkbox"/> TECHNICAL	<input type="checkbox"/> MIXED	<input type="checkbox"/> FAST
TRACTION	<input type="checkbox"/> LOW	<input type="checkbox"/> MEDIUM	<input type="checkbox"/> HIGH



CENTER SHOCK ABSORBER		SIDE SHOCK	
<input type="text"/>	<input type="text"/>	<input type="text"/>	<input type="text"/>
SPRING	PISTON	OIL	REBOUND
		/CST	%
			OIL
			/CST

FRONT	TIRES	REAR
<input type="text"/>	<input type="text"/>	<input type="text"/>
	ADDITIVE	<input type="text"/>
	TIMING	<input type="text"/>

DIFFERENTIAL SETTING

LOOSE  MEDIUM  TIGHT

GEARING

/T PINION  /T SPUR GEAR  DRIVE RATIO

NOTES

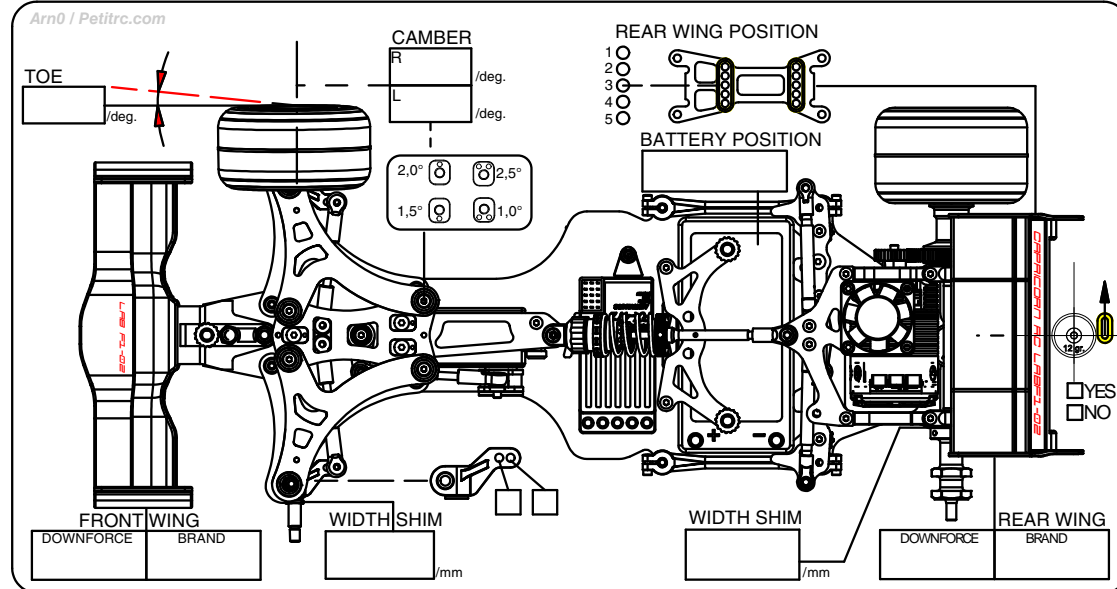
TREATED AREA

MOTOR

ESC

BATTERY

BODY



NOTES