

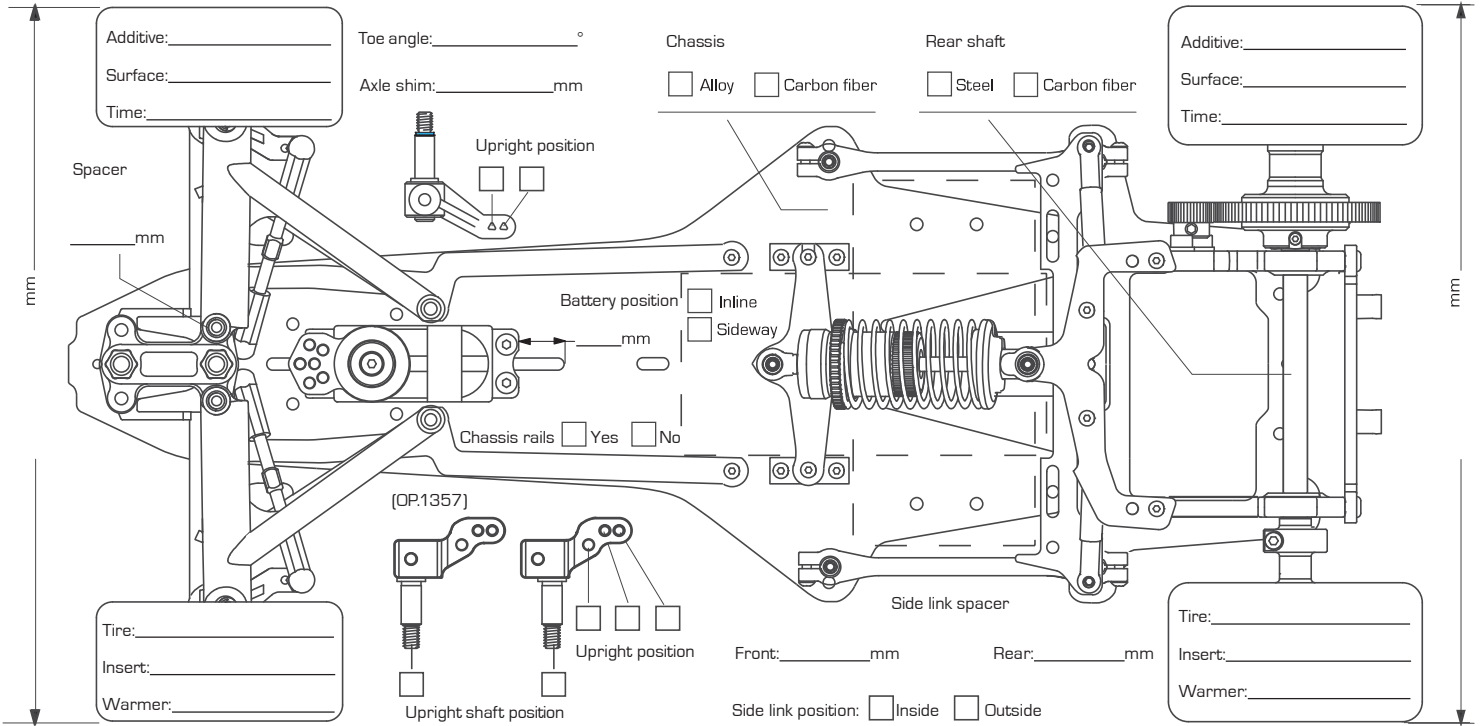


Name \_\_\_\_\_

Date \_\_\_\_\_

Event \_\_\_\_\_

Composition  Asphalt  Indoor Surface  Smooth  Medium  Bumpy Layout  Tight  Mixed  Open Humidity \_\_\_\_\_  
 Carpet  Outdoor Traction  Low  Medium  High Track temp. \_\_\_\_\_ Air temp. \_\_\_\_\_



Belt:  Yes  No

Castor: \_\_\_\_\_ °

Spacer: \_\_\_\_\_ mm

Spacer: \_\_\_\_\_ mm

Wheelbase:  Short  Long

Camber: \_\_\_\_\_ °

Camberlink:  Short  Long

Camberlink shims: \_\_\_\_\_ mm

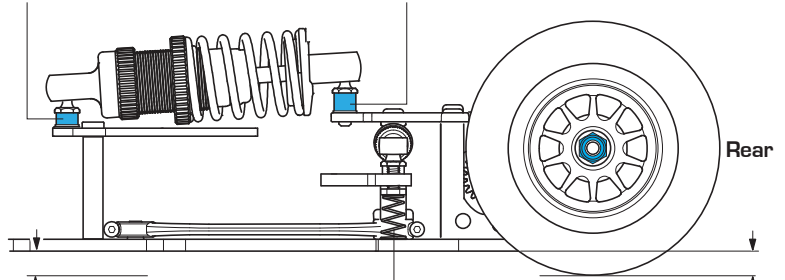
Spring: \_\_\_\_\_

Ackermann: \_\_\_\_\_

Front



Ground clearance: \_\_\_\_\_ mm



Rear

Roll spring: \_\_\_\_\_

Preload - L: \_\_\_\_\_ - R: \_\_\_\_\_

Ground clearance: \_\_\_\_\_ mm

Droop: \_\_\_\_\_ mm

Diff grease: \_\_\_\_\_

Bearing:  Standard  Thrust

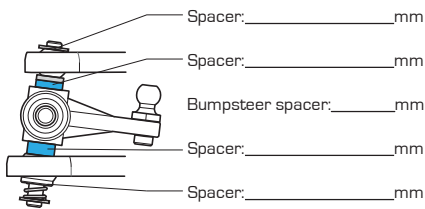
**IFS Front**

Droop: \_\_\_\_\_ mm

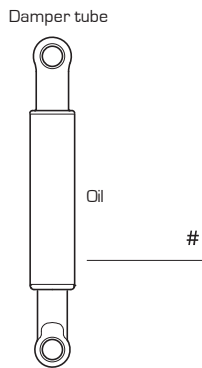
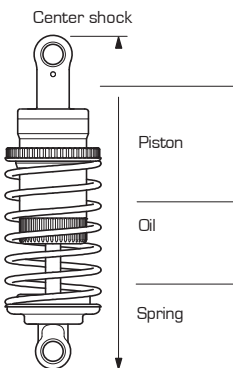
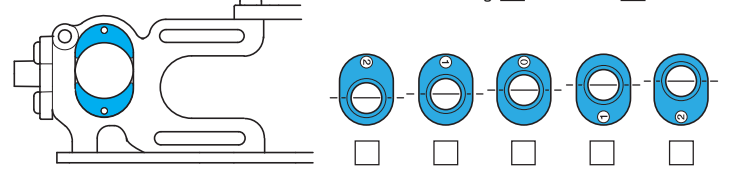
Damper oil: \_\_\_\_\_ cst

Spring:  Silver (Hard)  
 Dark Grey (Medium)  
 Blue (Soft)  
 Yellow (Extra Soft)

Shock tower hole:  
 Bottom  Middle  Top



**Rear Ground Clearance**



Notes

Motor: \_\_\_\_\_  
 Timing: \_\_\_\_\_  
 Spur/Pinion: \_\_\_\_\_  
 ESC: \_\_\_\_\_  
 ESC Setting: \_\_\_\_\_  
 \_\_\_\_\_  
 Battery: \_\_\_\_\_  
 Body: \_\_\_\_\_  
 Front wing: \_\_\_\_\_  
 Front wing setting: \_\_\_\_\_  
 Rear wing: \_\_\_\_\_  
 Rear wing height: \_\_\_\_\_  
 Rear wing setting: \_\_\_\_\_

Notes