

SETUP SHEET

Base Model
 F103 F104 F104W

■ Driver / _____ ■ Date / _____ ■ Temp / _____ ■ Humidity / _____ %

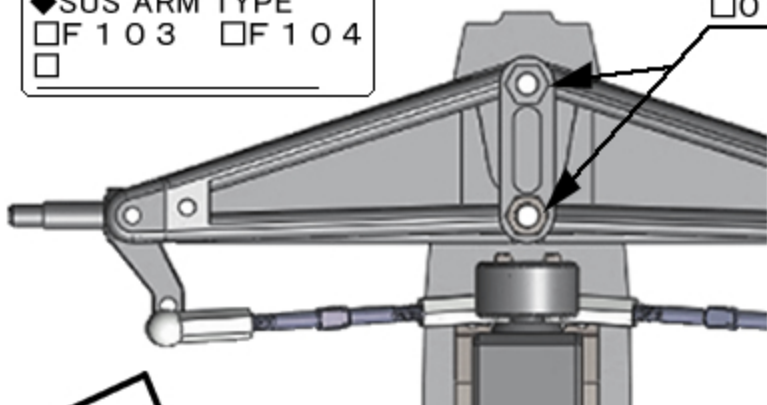
■ Track / _____

◆ Location Indoor Outdoor ◆ Size Big Med. Small
 ◆ Road surface Asphalt Carpet ◆ Traction High Med. Low
 ◆ Conditions Smooth Med. Bumpy / Wet

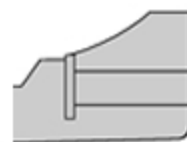
FRONT

◆ SUS ARM TYPE
 F103 F104

◆ F103 / Camber Spacer
 0 mm 1.0 mm 2.0 mm 3.0 mm



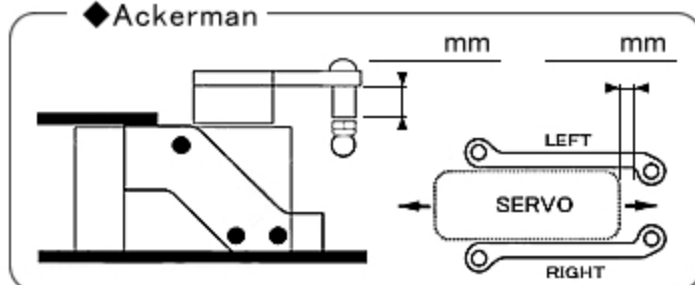
■ Front Wing



◆ UPRIGHT TYPE

■ Maker / _____
 InLine Trail / _____ mm

◆ Ackerman



◆ Width / _____ mm ◆ Ride Height / _____ mm

◆ Front Spring / _____

◆ Camber F104
 0° 1.0° 1.5° 2.0° 2.5°

◆ Toe IN OUT / _____ °

◆ Front Tire / _____ mm

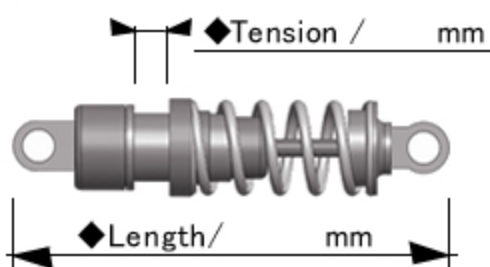
◆ Additive Yes No
 Maker / _____

Time ~ _____ min / Width _____ mm

◆ Notes

Rear

■ Rear Damper /



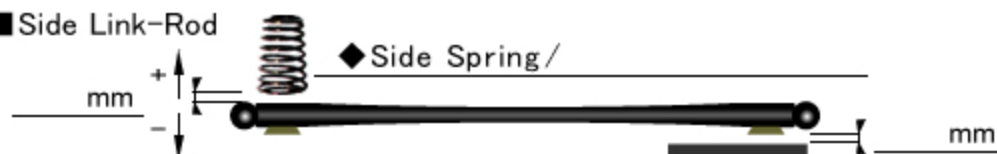
◆ Spring / _____

◆ Piston / Hole ◆ Oil / # _____

■ Roll-Damper

◆ Length / _____ mm ◆ Oil / # _____

■ Side Link-Rod



◆ Width / _____ mm

◆ Height Adapter



◆ Ride Height / _____ mm

◆ Rear Tire / _____ mm

◆ Additive Yes No
 Maker / _____

Time ~ _____ min / Width _____ mm

◆ Body /

◆ Rear Wing / _____

 Height _____ mm

◆ Motor /

◆ Spur / Pinion / RollOut
 T / T /

◆ ESC /

◆ Weight / _____ g

◆ Steering Gyro
 Maker / _____
 ON (GAIN _____ %)

◆ Notes