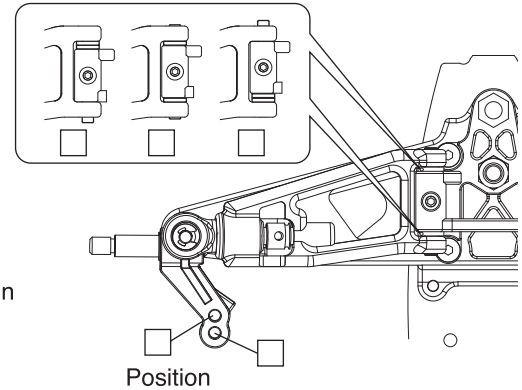
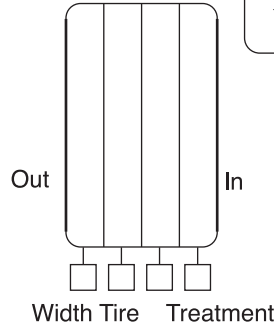
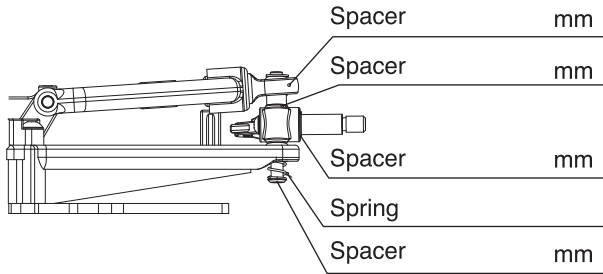


Setup Sheet (1)



Driver : _____ Date : _____ Track Info: Indoor Outdoor Note : _____
 Track : _____ Smooth Bumpy _____
 Event : _____ Road Surface: Asphalt Carpet _____
 Temperature: _____ Humidity: _____ Traction: High Med Low _____



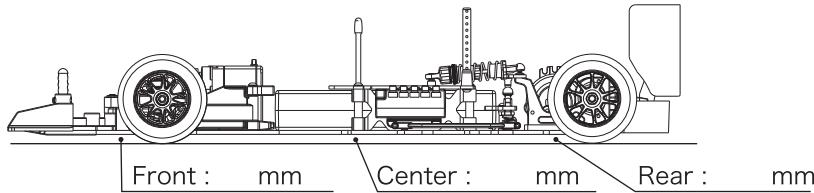
Camber : _____
 Straight : In / Out _____ °

Additive : _____

Tire : _____
 Diameter : _____
 Wheel Type : _____
 Tire Treatment : _____
 Time : _____
 Front Width : _____ mm

Note : _____

Setup Sheet (2)



Speed Controller : _____

S.C.Setting : _____

Servo : _____

Receiver : _____

Transmitter : _____

Steering Expo : _____

Brake E.P. : _____

Throttle Expo : _____

Motor : _____

Timing : _____

Spur Gear : _____ T

Pinion Gear : _____ T

Body : _____

Battery : _____

Side Spring : _____

Tire : _____

Diameter : _____

Wheel Type : _____

Tire Treatment : _____

Additive : _____

Time : _____

Rear Width : _____ mm

