

SET-UP

<http://www.rc-trg.com/>
Arno



Car Type
 TRG114W
 TRG114N

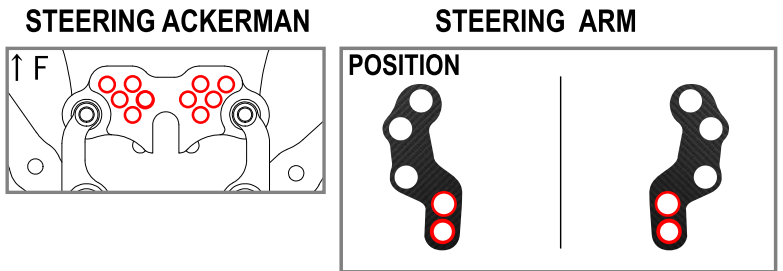
TIRE MAKE		TREATED AREA			
FRONT	REAR	FRONT		REAR	
<input type="text"/>	<input type="text"/>	<input type="text"/>	<input type="text"/>	<input type="text"/>	<input type="text"/>
DIAMETER					
FRONT	REAR				
<input type="text"/> mm	<input type="text"/> mm				
SHORE					
FRONT LEFT	FRONT RIGHT	REAR LEFT	REAR RIGHT		
<input type="text"/>	<input type="text"/>	<input type="text"/>	<input type="text"/>		

RACE	<input type="text"/>	DATE	<input type="text"/>
TRACK	<input type="text"/>		
LAYOUT	<input type="checkbox"/> TECHNICAL <input type="checkbox"/> MIXED <input type="checkbox"/> FAST	QUALIFYING POSITION	<input type="text"/>
TRACTION	<input type="checkbox"/> LOW <input type="checkbox"/> MEDIUM <input type="checkbox"/> FAST	QUALIFYING TIME	<input type="text"/>
SURFACE	<input type="checkbox"/> ASPHALT <input type="checkbox"/> CARPET	FINAL POSITION	<input type="text"/>

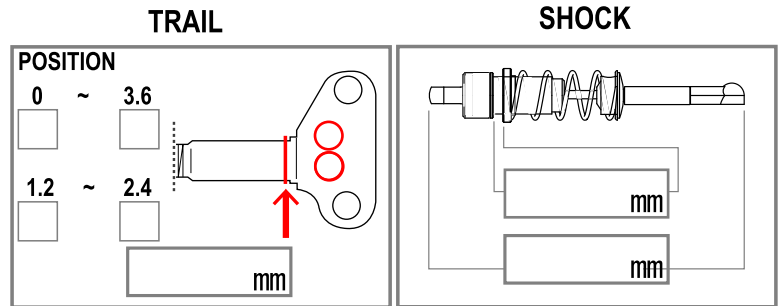
MOTOR	<input type="text"/>	T	<input type="text"/>
TIMING POINT	<input type="text"/>	ROTOR	<input type="text"/>
SPUR	<input type="text"/>	T	PINION <input type="text"/>
ESC	<input type="text"/>	BATTERY	<input type="text"/>

	RIGHT	LEFT
FRONT CAMBER	<input type="text"/> °	<input type="text"/> °
FRONT CASTER	<input type="text"/> °	<input type="text"/> °

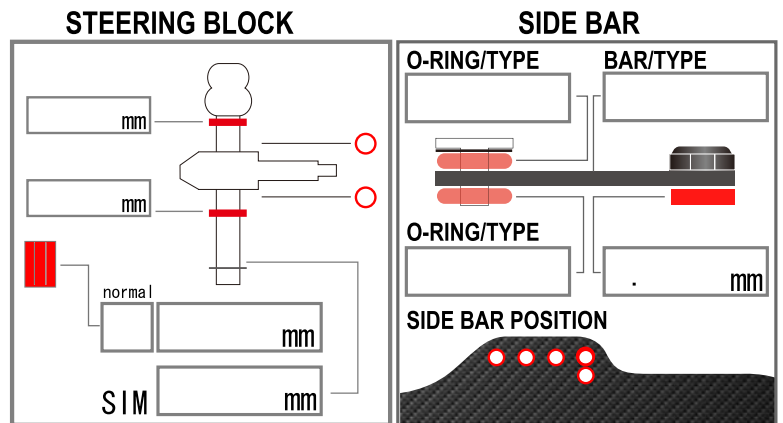
Diff type	<input type="text"/>	Diff Ball	<input type="checkbox"/> Ceramic <input type="checkbox"/> Steel
LOOSE	MEDIUM		TIGHT



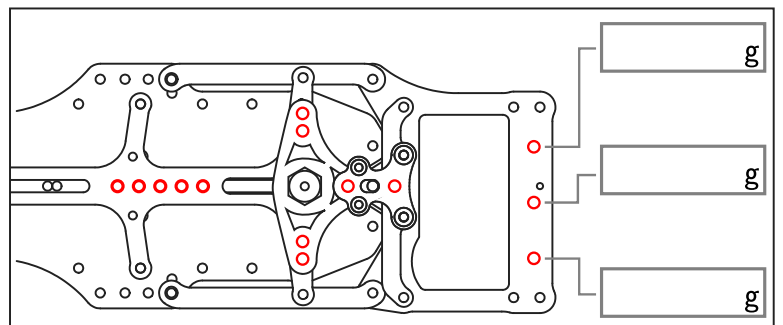
BODY	<input type="text"/>
FRONT WING	<input type="text"/>
REAR WING	<input type="text"/>
DIFFUSER	<input type="checkbox"/> Y <input type="checkbox"/> N



FRONT SPRING	<input type="text"/>
SHOCK ABSORBER	<input type="text"/>
SHOCK SPRING	<input type="text"/>
SHOCK OIL	<input type="text"/>
OIL(ROLL SHOCK)	<input type="text"/>
DUAL ROLL SHOCK SPRING	<input type="text"/>
REAR AXLE SHAFT	<input type="text"/>
HEIGHT ADAPTER	<input type="checkbox"/> -3.5 <input type="checkbox"/> -3 <input type="checkbox"/> -2.5 <input type="checkbox"/> -2 <input type="checkbox"/> -1.5 <input type="checkbox"/> -1 <input type="checkbox"/> -0.5 <input type="checkbox"/> 0 <input type="checkbox"/> 0.5 <input type="checkbox"/> 1 <input type="checkbox"/> 1.5 <input type="checkbox"/> 2 <input type="checkbox"/> 2.5 <input type="checkbox"/> 3 <input type="checkbox"/> 3.5



memo



APPLIED

Temp ° Humidity %