

SET-UP SHEET

XRAY XI'16

RACE	<input type="text"/>
TRACK	<input type="text"/>
NAME	<input type="text"/>
CITY / COUNTRY	<input type="text"/>
CONTACT	<input type="text"/>

DATE	<input type="text"/>
------	----------------------

QUALIFYING POSITION	BEST LAPTIME /sec	FINAL POSITION	RACE LENGTH /min
<input type="text"/>	<input type="text"/>	<input type="text"/>	<input type="text"/>

TRACK			
TRACK SURFACE	<input type="checkbox"/> CARPET	<input type="checkbox"/> ASPHALT	
TRACK LAYOUT	<input type="checkbox"/> TECHNICAL	<input type="checkbox"/> MIXED	<input type="checkbox"/> FAST
TRACTION	<input type="checkbox"/> LOW	<input type="checkbox"/> MEDIUM	<input type="checkbox"/> HIGH

CENTER SHOCK ABSORBER			
SPRING	OIL /cSt	REBOUND /%	
<input type="text"/>	<input type="text"/>	<input type="text"/>	
PISTON		HOLES DIAMETER /ø	
<input type="checkbox"/> 2 HOLES	<input type="checkbox"/> 3 HOLES	<input type="checkbox"/> 1.1mm	<input type="checkbox"/> 1.2mm
<input type="checkbox"/> 1.1mm	<input type="checkbox"/> 1.2mm	<input type="checkbox"/> 1.3mm	

SIDE TUBES	<input type="checkbox"/>	OIL /cSt	<input type="text"/>
SIDE SHOCK	<input type="checkbox"/>	OIL /cSt	<input type="text"/>

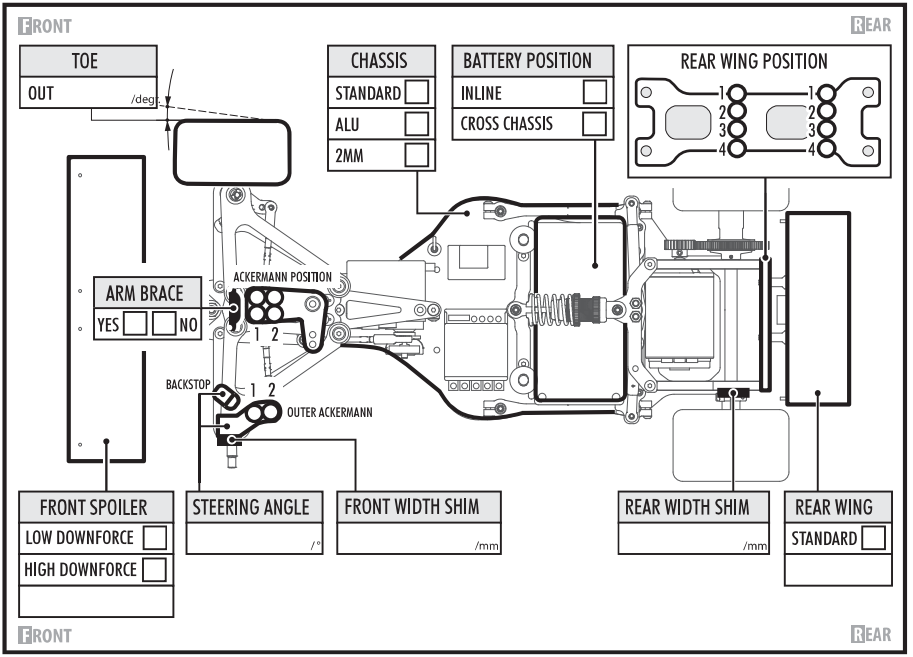
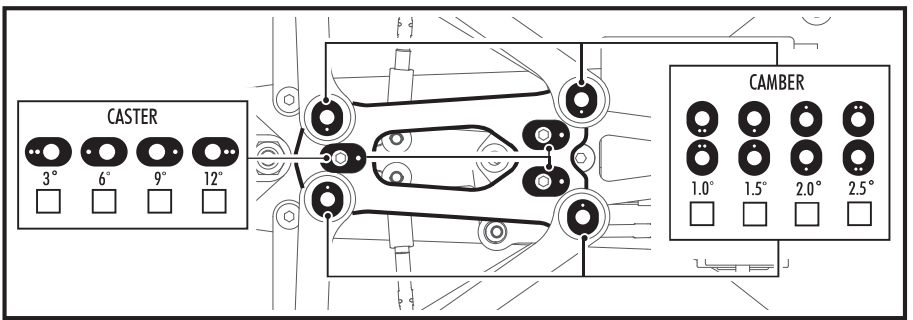
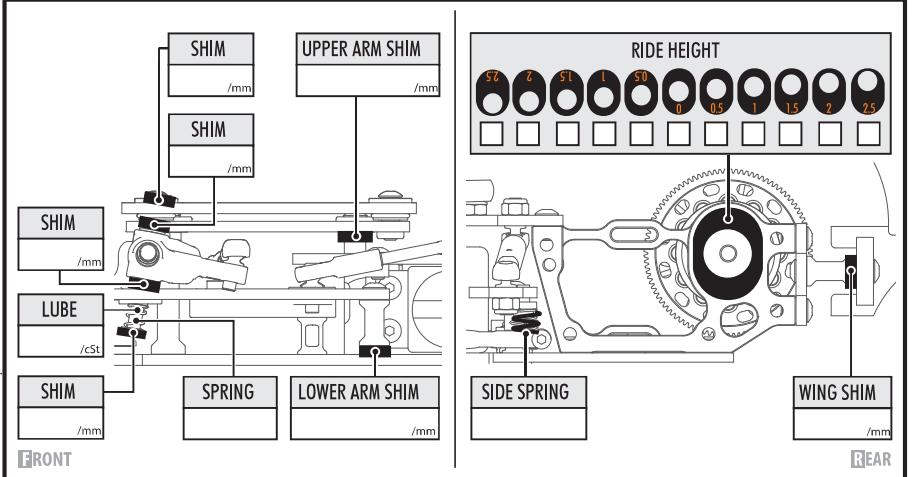
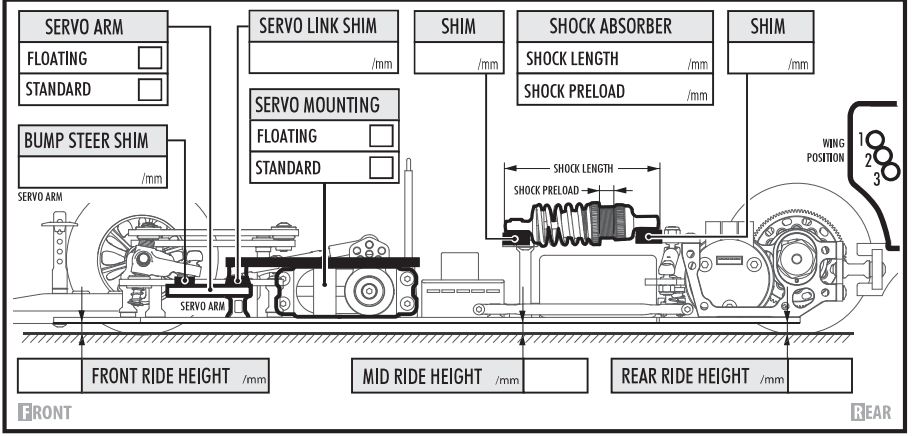
FRONT	TIRES	REAR
<input type="text"/>	TIRES	<input type="text"/>
<input type="text"/>	ADDITIVE	<input type="text"/>
<input type="text"/>	ADDITIVE TIMING	<input type="text"/>
FRONT LEFT	ADDITIVE TREATED AREA	REAR LEFT
<input type="text"/>	<input type="text"/>	<input type="text"/>
FRONT RIGHT		REAR RIGHT
<input type="text"/>		<input type="text"/>

DIFF SETTING				
<input type="checkbox"/>	<input type="checkbox"/>	<input type="checkbox"/>	<input type="checkbox"/>	<input type="checkbox"/>
LOOSE		MEDIUM		TIGHT

GEARING			
<input type="text"/>	<input type="text"/>	<input type="text"/>	<input type="text"/>
PINION /T	SPUR GEAR /T	PITCH	FINAL DRIVE RATIO

ELECTRONICS	
MOTOR	<input type="text"/>
SPEEDO	<input type="text"/>
BATTERIES	<input type="text"/>

BODY	
<input type="text"/>	<input type="text"/>



<input type="text"/>	<input type="text"/>
----------------------	----------------------