

SET-UP SHEET

RACE/TRACK

NAME

DATE

TEMPERATURE AIR TEMPERATURE TRACK

QUAL POSITION	FINAL POSITION	BEST LAP TIME	LAPS	TIME
<input type="text"/>	<input type="text"/>	<input type="text"/> /sec	<input type="text"/>	<input type="text"/>

TRACK

SURFACE CARPET ASPHALT

LAYOUT TECHNICAL MIXED FAST

TRACTION LOW MEDIUM HIGH

CENTER SHOCK ABSORBER

SPRING

OIL

PISTON


REBOUND


FOAM INSERT YES NO

ANTI-ROLL BAR

THICKNESS/mm

SIDE DAMPING

SIDE TUBE  OIL

SIDE SHOCK  OIL

FRONT TIRES		REAR TIRES	
<input type="text"/>	<input type="text"/>	<input type="text"/>	<input type="text"/>
<input type="text"/>	<input type="text"/>	<input type="text"/>	<input type="text"/>
<input type="text"/>	<input type="text"/>	<input type="text"/>	<input type="text"/>
FRONT LEFT	FRONT RIGHT	REAR LEFT	REAR RIGHT
ADDITIVE TREATER AREA			

TRANSMISSION

BALL DIFF LOOSE MEDIUM TIGHT

GEAR DIFF

OIL

GEARING

PINION

SPUR GEAR

FINAL DRIVE RATIO

ELECTRONICS

MOTOR

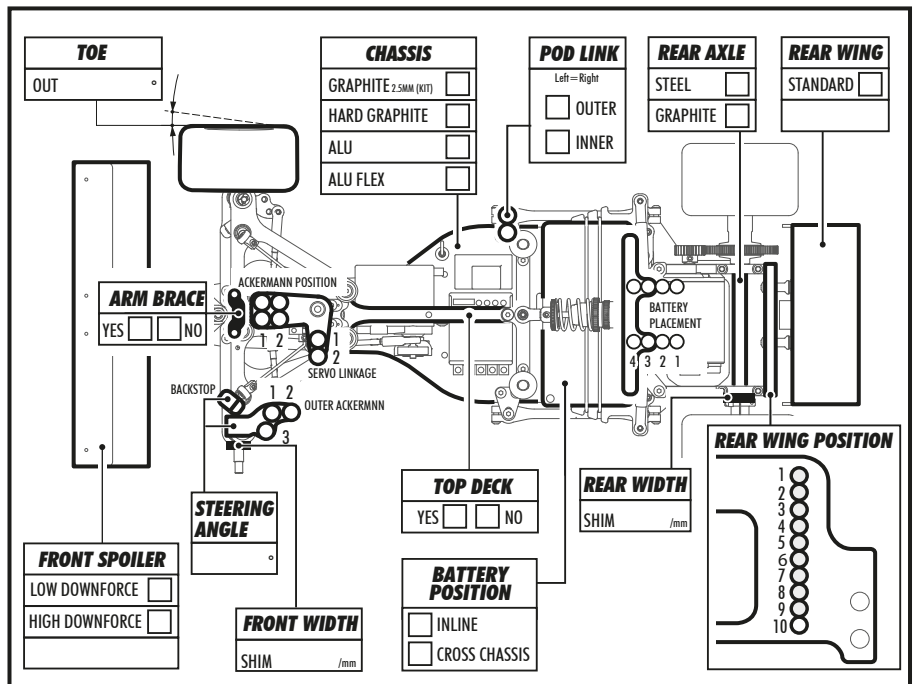
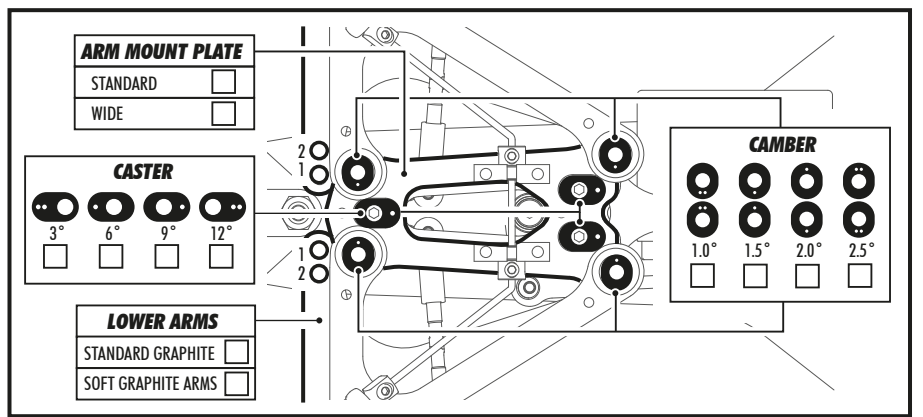
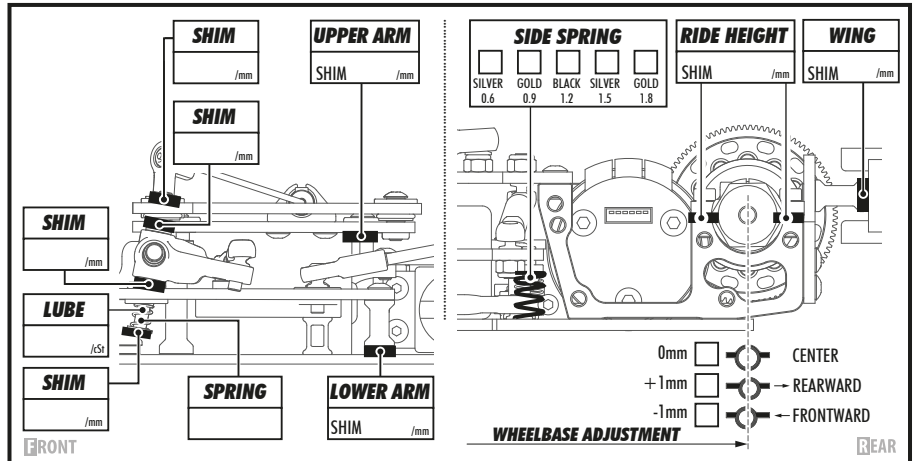
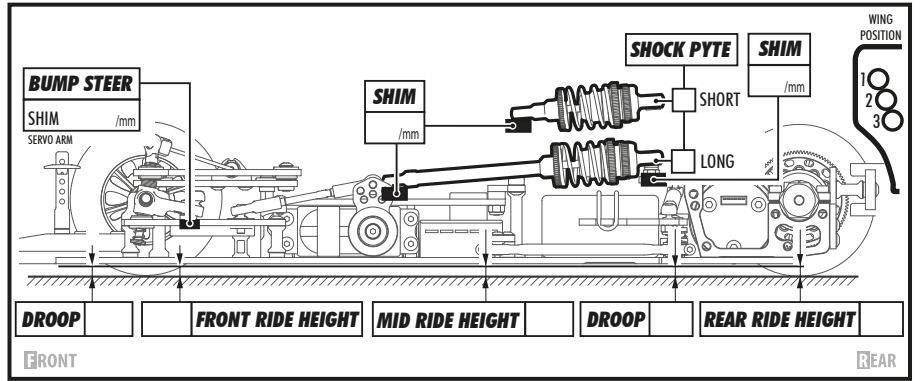
SPEEDO

BATTERIES

BODY

LOW DOWNFORCE

HIGH DOWNFORCE



COMMENTS