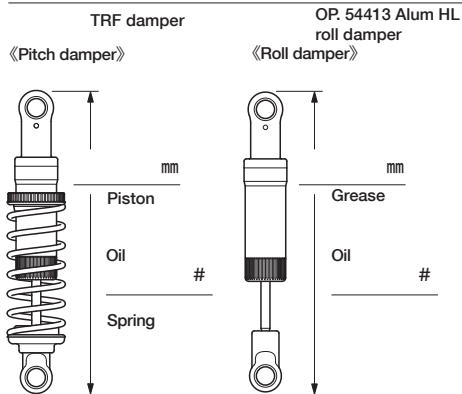
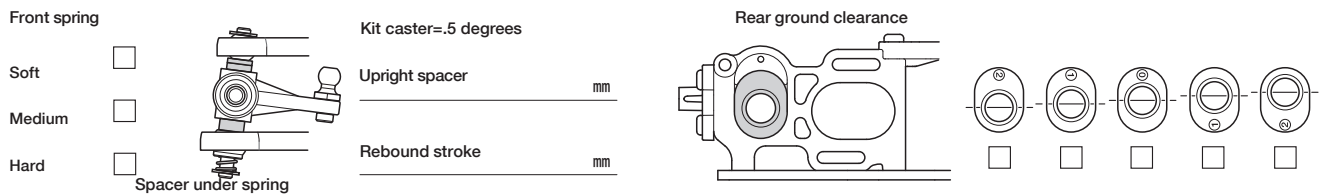
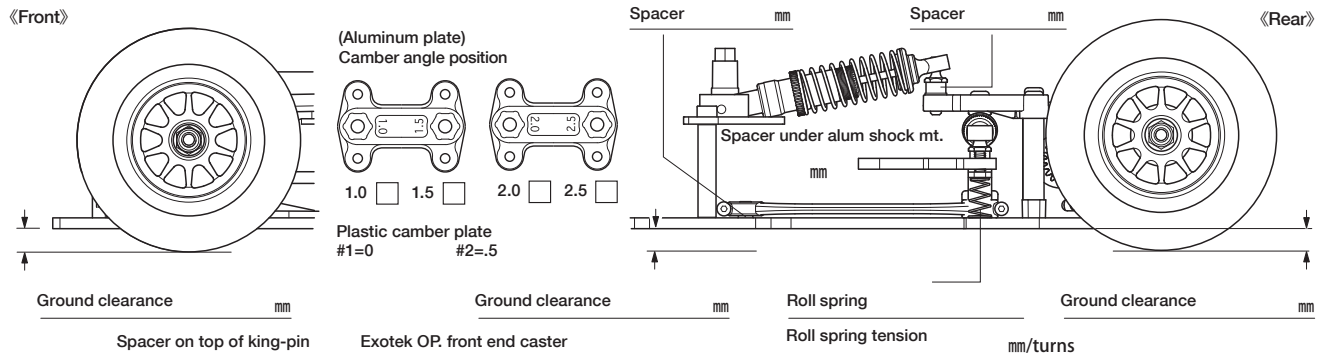
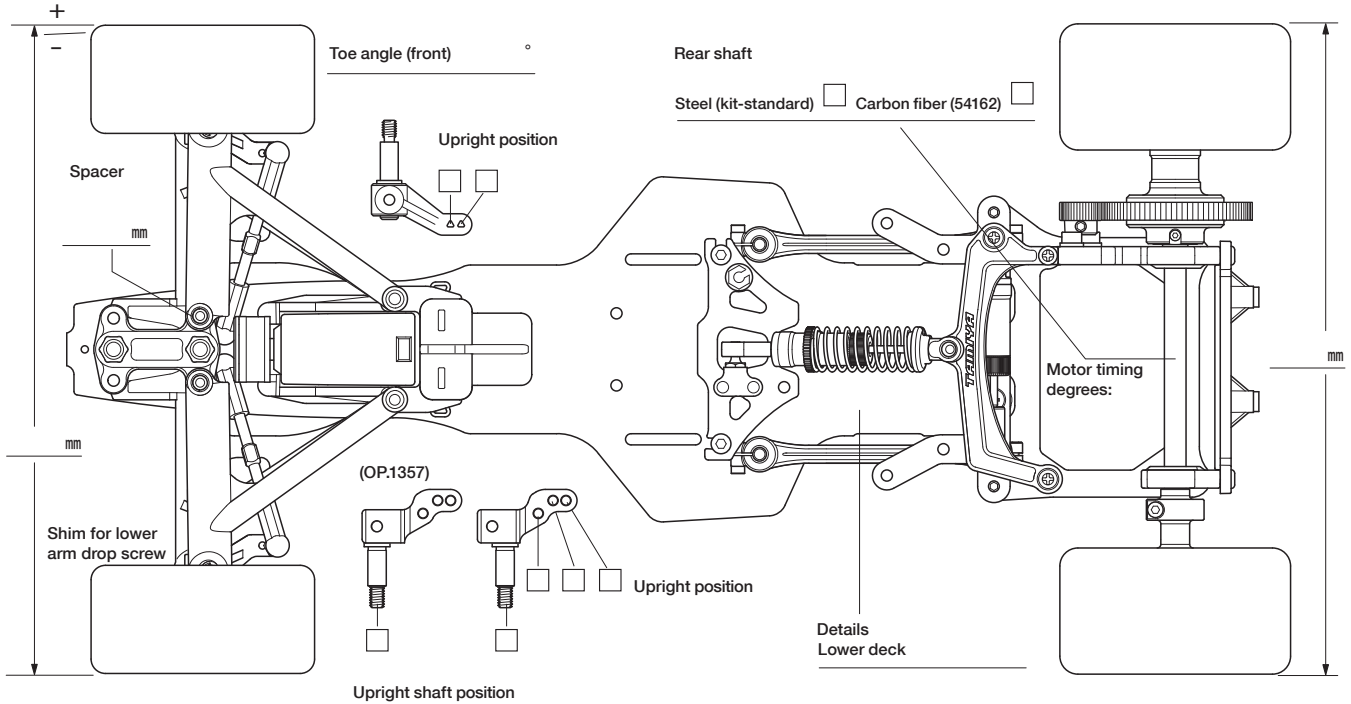


Name _____ Date _____ Air temp. _____ Humidity _____

Track _____ Asphalt Carpet Track condition _____ Track temp. _____



Motor _____	Spur gear _____	T _____	Pinion gear _____	T _____
Front wheel _____	Front tire _____	Front tire sauce % _____		
Rear wheel _____	Rear tire _____	Rear tire sauce % _____		
Body _____	Front wing _____	Rear wing _____		
Battery _____	Best lap _____			
Memo _____				